

Horizontal circulation in entrance storey

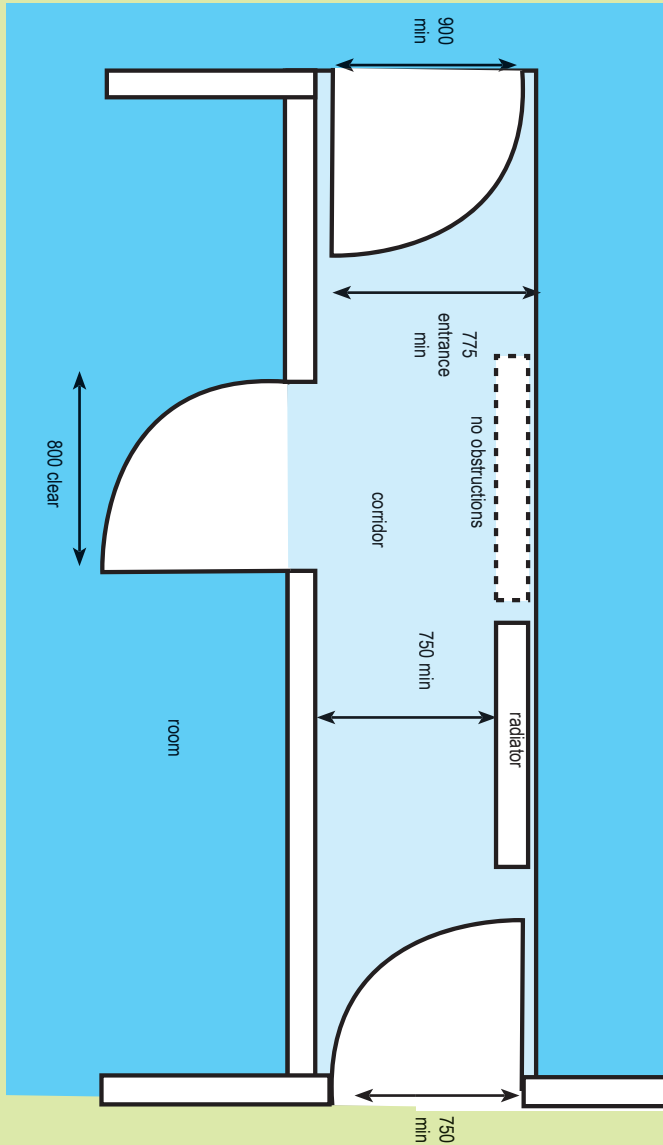


Table 1 Minimum widths of corridors and passageways for a range of doorway widths

Doorway clear opening width (mm)	Corridor/passageway width (mm)
750 or wider	900 (when approach head-on)
750	1200 (when approach not head-on)
775	1050 (when approach not head-on)
800	900 (when approach not head-on)

Your Local Building Control Service

The Building Control Service is here to help, if you are in any doubt over Building Regulation requirements or require further information, please telephone or call at your local Building Control Office.

Whilst every care has been taken in compiling this information leaflet and the statements contained herein the publishers and promoters cannot accept responsibility for any inaccuracies. Building Regulations are changed from time to time, if you did not receive this leaflet directly from your Local Building Control Authority, check with them that the information here is still current.

For further advice on this subject or any other Building Control matter please contact your Local Authority office as detailed below.

Blackburn with Darwen Borough Council
01254 585747
Blackpool Borough Council
01253 476219
Burnley Borough Council
01282 477207
Chorley Borough Council
01257 515241
Fylde Borough Council
01253 658658
Hyndburn Borough Council
01254 388111
Lancaster City Council
01524 582369

Borough of Pendle
01282 661722
Preston City Council
01772 906574
Borough of Rossendale
01706 252521/2
South Ribble Borough Council
01772 625521
Ribble Valley Borough Council
01200 425111
West Lancashire District Council
01695 585136
Borough of Wyre
01253 887251

Leaflet design and artwork www.stuartraith.me.uk Tel 01254 887304.

BUILDING REGULATIONS Information Leaflet No.6



Homes for Life

Means of Access to and into the Dwelling

LOCAL AUTHORITY BUILDING CONTROL Lancashire

AIMS OF THE LEAFLET

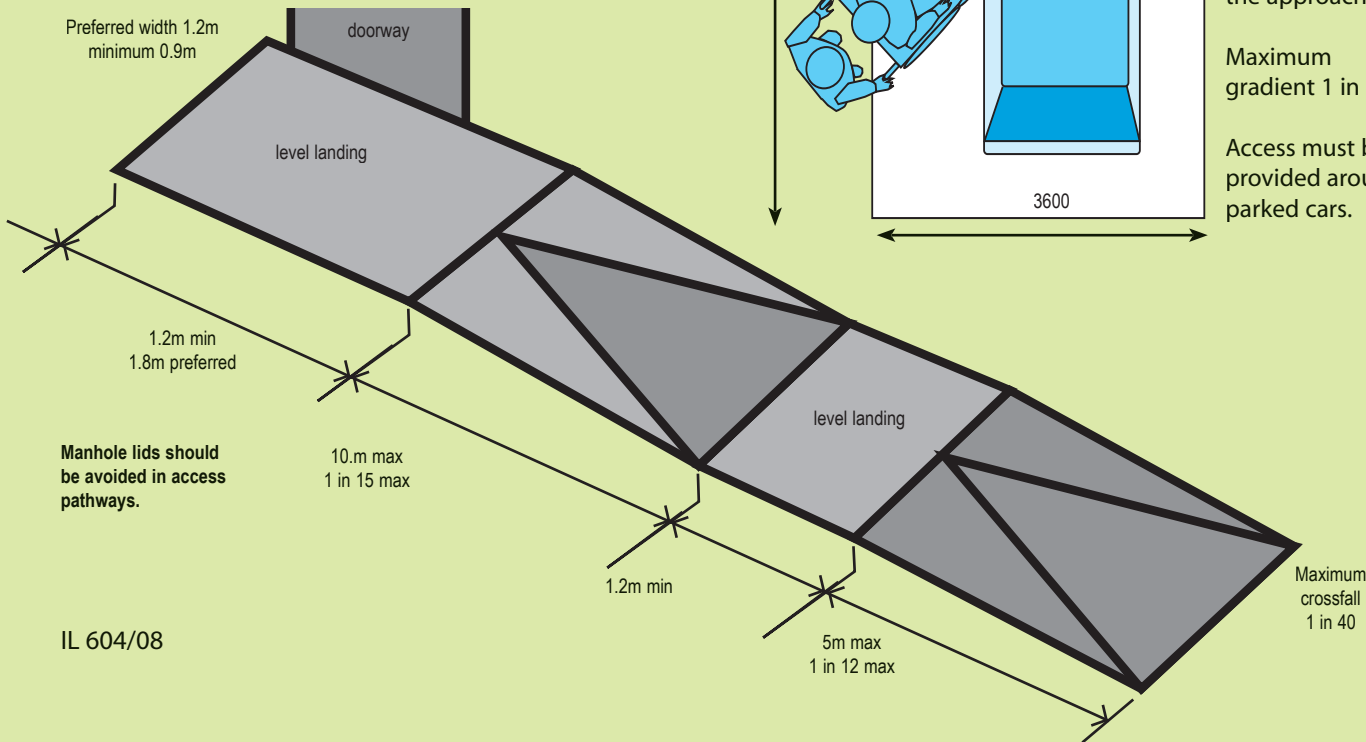
This leaflet is intended to provide advice on a particular aspect of the Building Regulations. It is not a statement of the law but is intended to help you to understand the system. For further information you should contact your Local Building Control Office.

INTRODUCTION

New houses must be constructed so that they can be used by everyone, this means that reasonable access must be provided from the plot boundary into the dwelling and throughout the ground floor. Reasonable access should be available for disabled people to go into the homes of friends and relations as well as their own homes. Disabled people should also be able to move around the buildings unaided.

RAMPED APPROACH

Paths to be firm and well laid and none slip. Loose laid materials such as gravel are unsuitable. A suitable approach must be provided from the point of access to the entrance. An accessible threshold should be provided.



APPROACH TO THE DWELLING

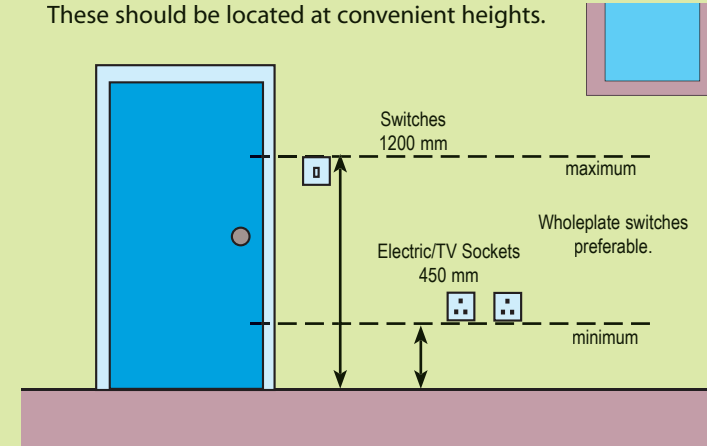
The provision of an approach which can be used by disabled people, including wheelchair users, will be a matter of practicability, variations in topography, available plot space, and distance from the dwelling to the plot entrance will influence the type of access to be provided. The approach must be as safe and practical for disabled people as possible. A driveway presents a usual opportunity to provide a ramped approach.

ACCESS WITHIN THE DWELLING

Passageways and doors must be wide enough to allow movement by a wheelchair user. See diagram overleaf.

ACCESSIBLE SWITCHES AND SOCKETS

These should be located at convenient heights.



W.C. PROVISION ON THE GROUND FLOOR

An accessible W.C. should be provided on the ground floor. The W.C. compartment provides a clear space for wheelchair users and the washbasin is positioned so that it does not impede access. Where a bathroom is on the ground floor the W.C. can be located in the bathroom.

